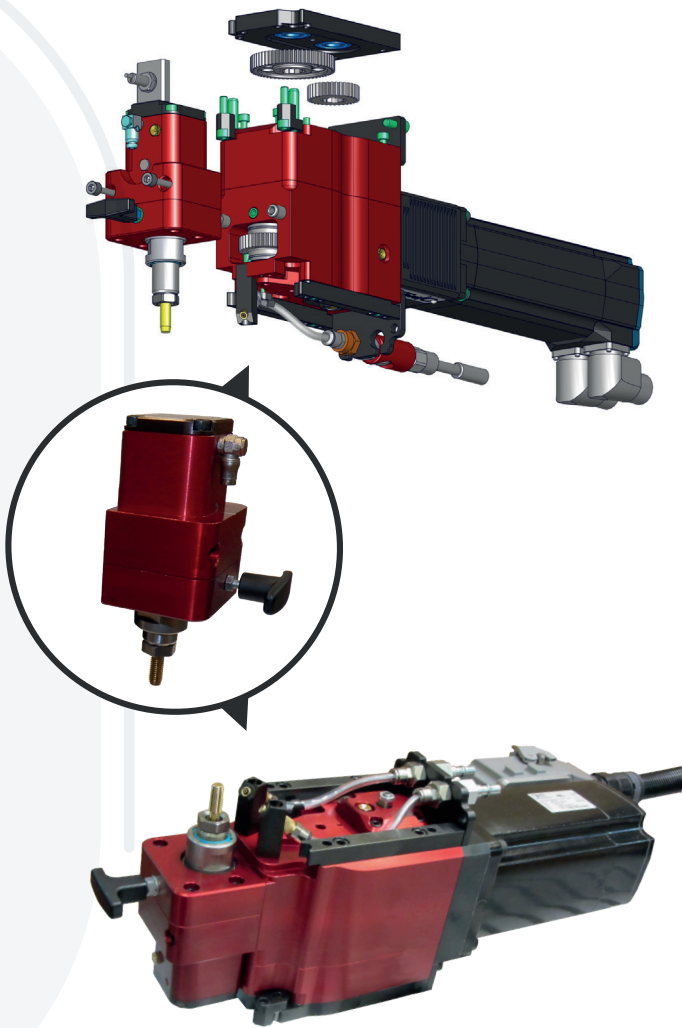


The most **EFFICIENT SOLUTION** for your use with **1 tapping and fixed mounting**



Single-spindle tapping apparatus with detachable head, an electromechanical engine.

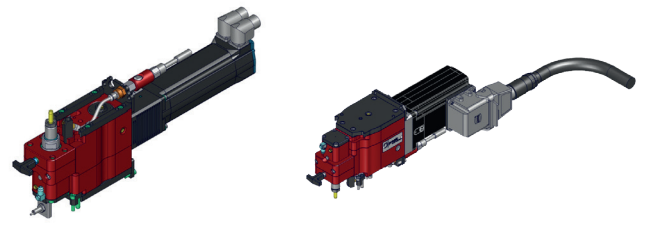
These units are designed with a spindle detachable to be used for single tap uses. The two-part design simplifies handling and reduces tap change time.

The tapping head is driven by an electromechanical engine allowing it to be independent of the press stroke. It can also be reused in many other tools. The use of these tapping units is much easier with the automatic adjustment of the tap position (auto set-up function) and the declutching cartridge.

Moreover, thanks to the integrated Torque-monitoring feature, tapping irregularities will be detected: by an over-torque (tight pre-hole, tap worn out or lack of lubrication...) or by a low-torque (tap breakage, large pre-hole); the unit will automatically stop the press by sending either an E-stop or Top Stop signal depending on the setting and wiring.

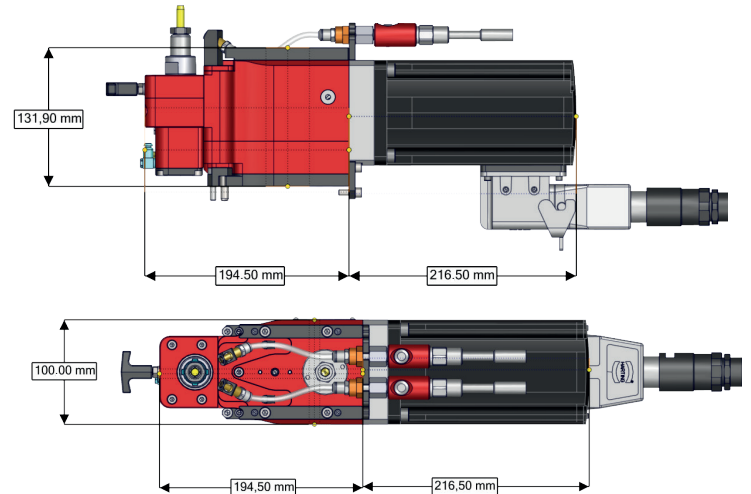
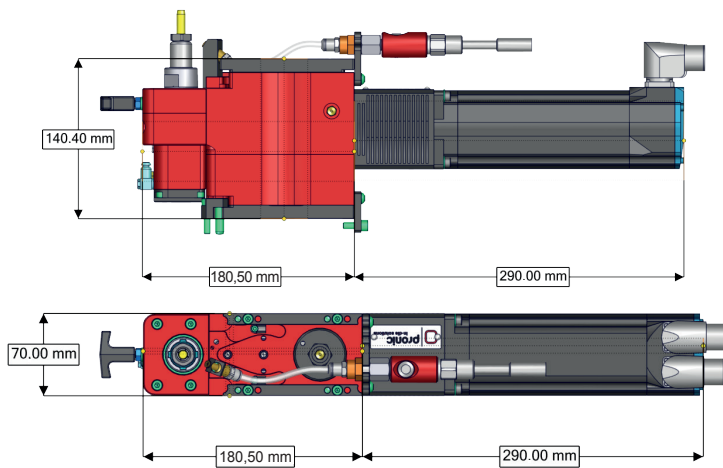
ADVANTAGES:

- **Ultra-light detachable tapping head** for quick and easy tap change.
- **Compact in width and height** for easy integration into all types of tools.
- **Declutching cartridge** for greater safety and reliability.
- **Reuse in several tools** thanks to easy assembly/disassembly.
- **Able to thread similar diameters** by changing only the detachable head.
- **Tapping torque monitoring to detect tapping anomalies.**



	STW1	STW2
Engine	3.1 Nm	8.4 Nm
Tapping direction	↓↑→	↓↑→
Type of kinematic	Fixed	Fixed
Lifting Maxi Strip	2 mm	2 mm
Width of the tapping unit	70 mm	100 mm
Detachable tapping spindle	●	●
Lubrication of the tap by microsyringing	●	●
Tapping torque monitoring	●	●
Lubrication of the tap by the center	○	○
Cartridge secured by declutching	●	●
Adjustable gearbox	●	●
Automatic spindle adjustment (Auto Set Up function)	○	○
Tap size ¹	M3 to M6	M5 to M12

Series ● Options ○

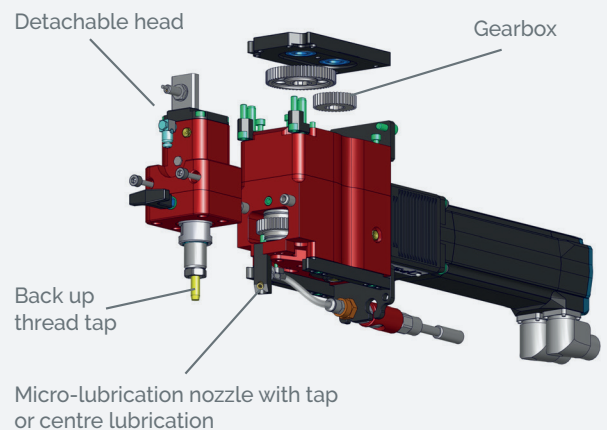


FEATURES:

Maximum Speed **120 spm**

Lifting maxi strip **2mm**

1 - BSP, TR, G, multi threads are also possible.
2 - For more important races, please contact us.



STW - EN - 09/2020 - EcclINK